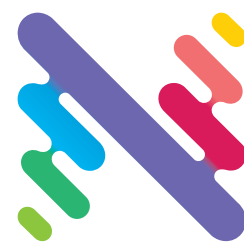


Bulk Waste

YOUR SERVICE ENTITLEMENT EXPLAINED



City of
Newcastle

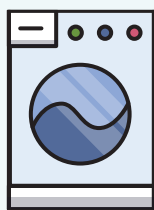
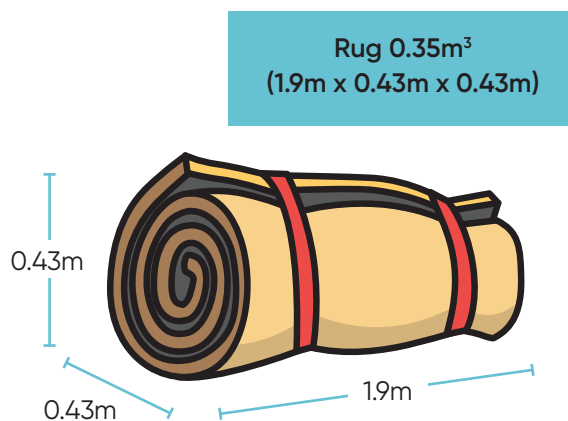
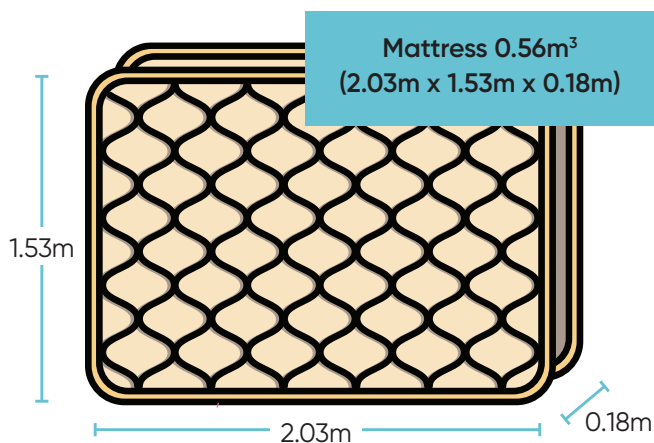
You can request two services (self-haul vouchers or kerbside pick-ups) within a 12-month rolling period, to dispose of up to two cubic metres of bulk waste.

The rolling period begins from the time that you last used the service. For example, if you used the service in February and again in October this year, you could request your next service from February next year.

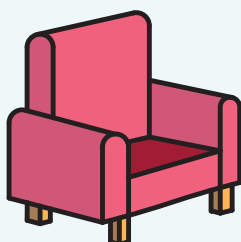
How much is two cubic metres?

Two cubic metres (2m^3) is equivalent to a block of space that measures two metres by one metre by one metre ($2\text{m} \times 1\text{m} \times 1\text{m}$). It is roughly the equivalent capacity of a 6' x 4' box trailer loaded one metre high.

You can estimate the volume of individual items by multiplying their dimensions (length x width x height). For example, a mattress that is 2.03m long, 1.53m wide and 18 centimetres (0.18m) high will have a volume of 0.56 cubic metres (0.56m^3)—about a quarter of your 2m^3 entitlement. Some examples are shown below.



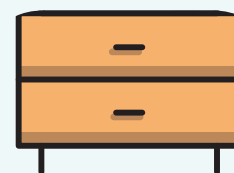
Washing Machine 0.35m^3
($0.6\text{m} \times 0.68\text{m} \times 0.85\text{m}$)



Armchair 0.56m^3
($0.9\text{m} \times 0.83\text{m} \times 0.75\text{m}$)



Microwave 0.07m^3
($0.53\text{m} \times 0.4\text{m} \times 0.31\text{m}$)



Bedside table 0.1m^3
($0.5\text{m} \times 0.41\text{m} \times 0.49\text{m}$)

To request a **self-haul voucher** or a **kerbside pick-up**, or for more information, visit newcastle.nsw.gov.au/bulk-waste or call **4974 2000**.