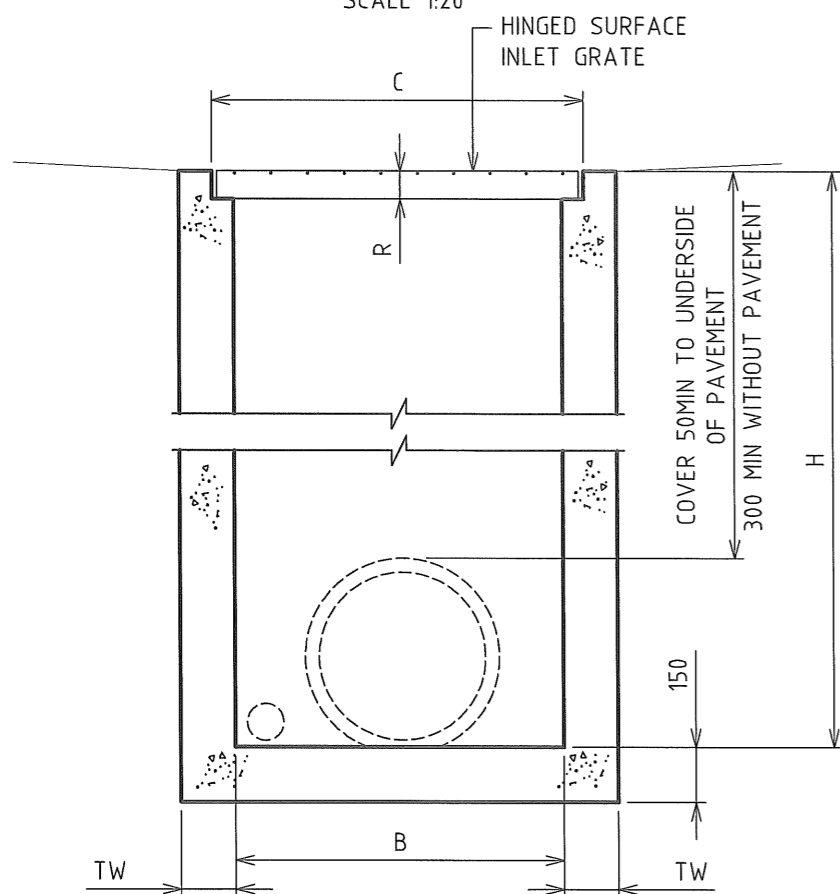


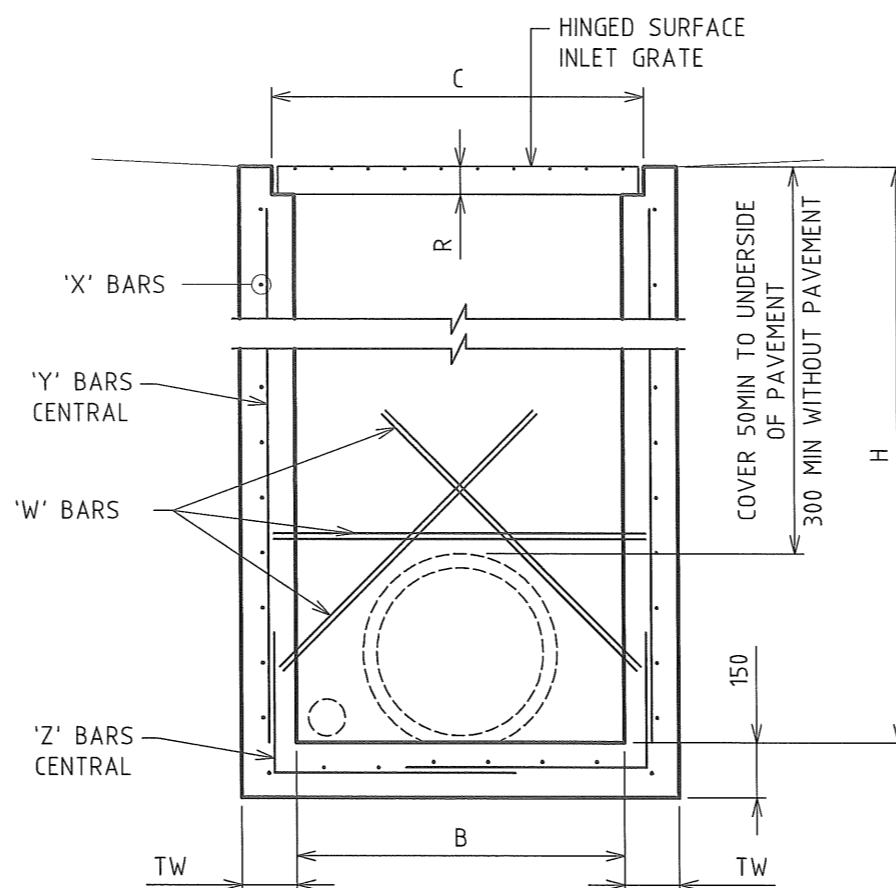
TYPICAL PIT PLAN  
SCALE 1:20

B	H (MAX)	TW	C	R (MIN)	'W' BARS	'X' BARS	'Y' BARS	'Z' BARS
300	-	-	-	-	-	-	-	-
450	-	-	-	-	-	-	-	-
600	900	150	730	55	-	-	-	-
900	1500	150	1020	75	-	-	-	-
900	3500	150	1020	75	2-N12	N12-200**	N12-200	N12-200
900	6000	150	1020	75	2-N12	N12-150**	N12-150	N12-150

\*\* DENOTES L-BARS WITH 300 LAP



TYPICAL UNREINFORCED PIT SECTION  
SCALE 1:20



TYPICAL REINFORCED PIT SECTION  
SCALE 1:20

**NOTES**

1. ALL DIMENSIONS ARE IN MILLIMETERS
2. CONCRETE FOR UNREINFORCED PITS:  
- 25 MPa GRADE N25:80:10 IN ACCORDANCE WITH AS1379
3. CONCRETE FINISHES:  
- ALL PEDESTRIAN OR TRAFFICABLE AREAS TO BE NON-SLIP BROOM FINISH WITH ALL EXPOSED EDGES ROUNDED TO 5 RADIUS. OTHER EXPOSED SURFACES TO BE OFF STEEL FORM QUALITY
4. STEEL REINFORCEMENT TO BE GRADE 500 TO AS/NZS4671 GRADE D500N
5. PITS DEEPER THAN 1200 TO BE FITTED WITH STEP IRONS AT 300 CENTERS TO AS1657
6. 100 DIA SUBSOIL DRAINAGE PIPE 3000 LONG WRAPPED IN FABRIC SOCK TO BE PROVIDED ADJACENT TO INLET PIPES
7. ALL PITS ARE TO BE ADEQUATELY STREAMLINED AND BENCHED
8. GRATES TO BE SQUARE, BICYCLE SAFE, GALVANISED MILD STEEL HINGED GRATE AND FRAME 'CLASS D' (HEAVY DUTY) IN ACCORDANCE WITH AS3996.2006
9. FOUNDING MATERIAL TO ACHIEVE A MINIMUM ALLOWABLE BEARING CAPACITY OF 150KPa

No.	AMENDMENT DETAILS	DATE	INITIALS
1	CONSTRUCTION	11.06.13	J.C.
0	PRELIMINARY - FOR REVIEW AND COMMENT ONLY	14.12.12	J.C.

SCALE  
**AS SHOWN**

COORDINATE SYSTEM:      HEIGHT DATUM: AHD

**LIVEABLE CITY**  
INFRASTRUCTURE  
MANAGEMENT SERVICES

REVIEWED: J.C.

APPROVED:

SIGNED: *[Signature]*  
INFRASTRUCTURE MANAGEMENT SERVICES MANAGER  
DATE: 11/6/13

**THE CITY OF NEWCASTLE**

**INLET PIT - NON TRAFFICABLE**

NCC PLAN No. **A2205**

AMENDMENT No.

SHEET No. **1** OF **1** SHEETS