

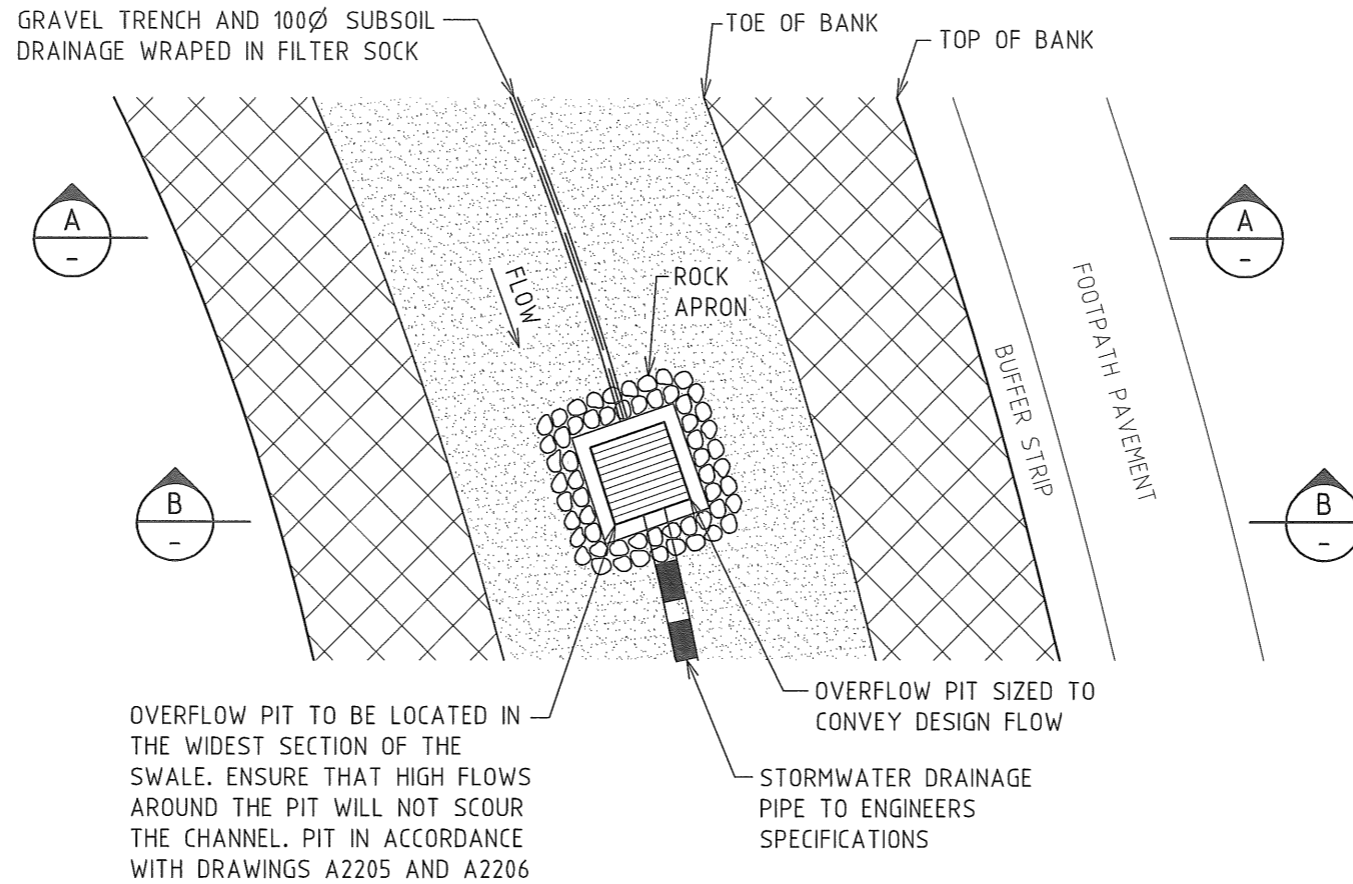
**NOTES**

1. REFER TO DRAWING A2400 FOR NOTES AND SPECIFICATIONS

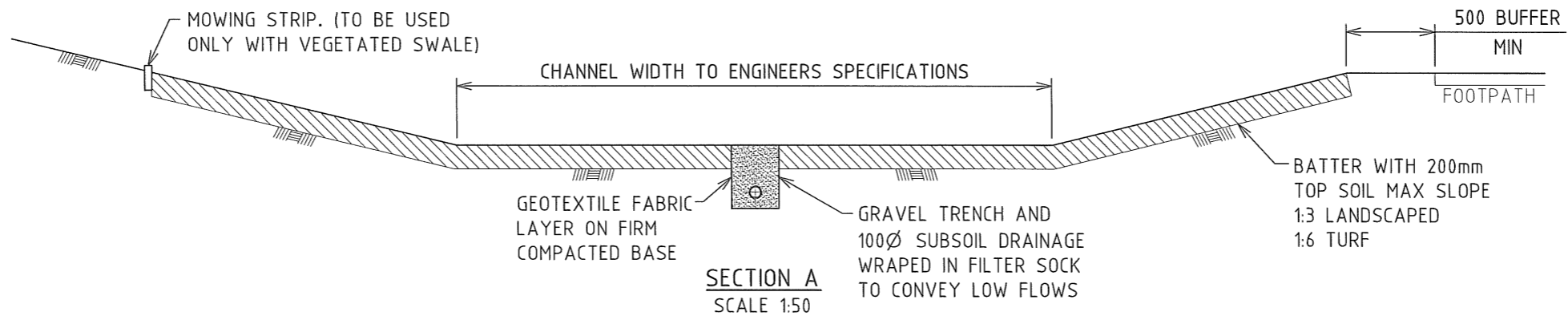
**REFERENCES**

1. SYDNEY METROPOLITAN CATCHMENT MANAGEMENT AUTHORITY (TYPICAL DRAWINGS FOR WSUD)  
 2. HEALTHY WATERWAYS PARTNERSHIP (WSUD TECHNICAL DESIGN GUIDELINES FOR SOUTH EAST QLD) - <http://waterbydesign.com.au/techguide/>

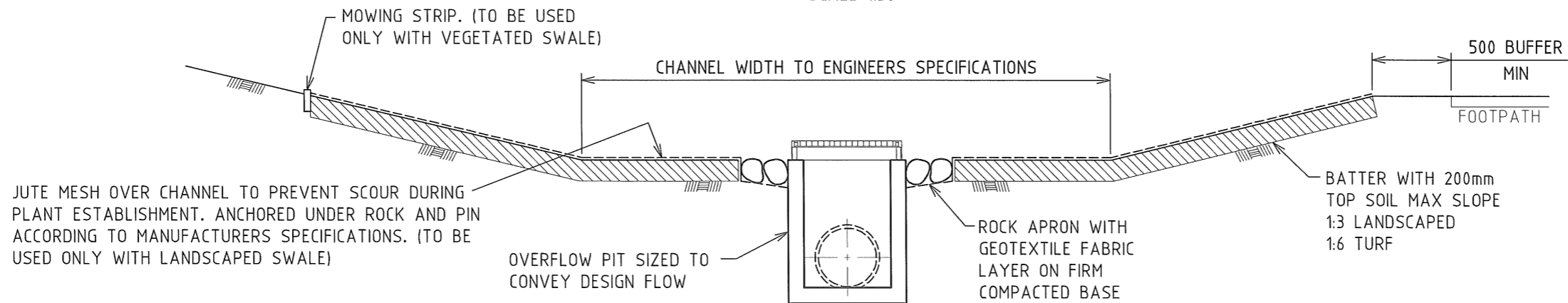
ALL WSUD DEVICES AND ELEMENTS ARE TO BE DESIGNED IN ACCORDANCE WITH THE CITY OF NEWCASTLE TECHNICAL MANUAL FOR STORMWATER AND WATER EFFICIENCY FOR DEVELOPMENT



**SWALE FOR FLAT SITE PLAN**  
SCALE 1:100



**SECTION A**  
SCALE 1:50



**SECTION B**  
SCALE 1:50

ALL DIMENSIONS ARE IN MILLIMETRES UNLESS NOTED OTHERWISE

No.	AMENDMENT DETAILS	DATE	INITIALS
1	CONSTRUCTION	11.06.13	J.C.
0	PRELIMINARY - FOR REVIEW AND COMMENT ONLY	11.01.13	J.C.

SCALE	AS SHOWN
COORDINATE SYSTEM:	HEIGHT DATUM: AHD

**LIVEABLE CITY**  
**INFRASTRUCTURE MANAGEMENT SERVICES**

REVIEWED: J.C.

APPROVED:

SIGNED: *[Signature]*  
 INFRASTRUCTURE MANAGEMENT SERVICES MANAGER

DATE: 11/6/13

**THE CITY OF NEWCASTLE**

**WSUD SWALE FOR A FLAT SITE**

NCC PLAN No.	A2407	SHEET No.	1 OF 1 SHEETS
AMENDMENT No.			