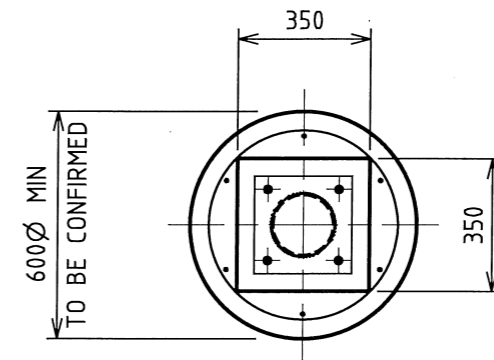


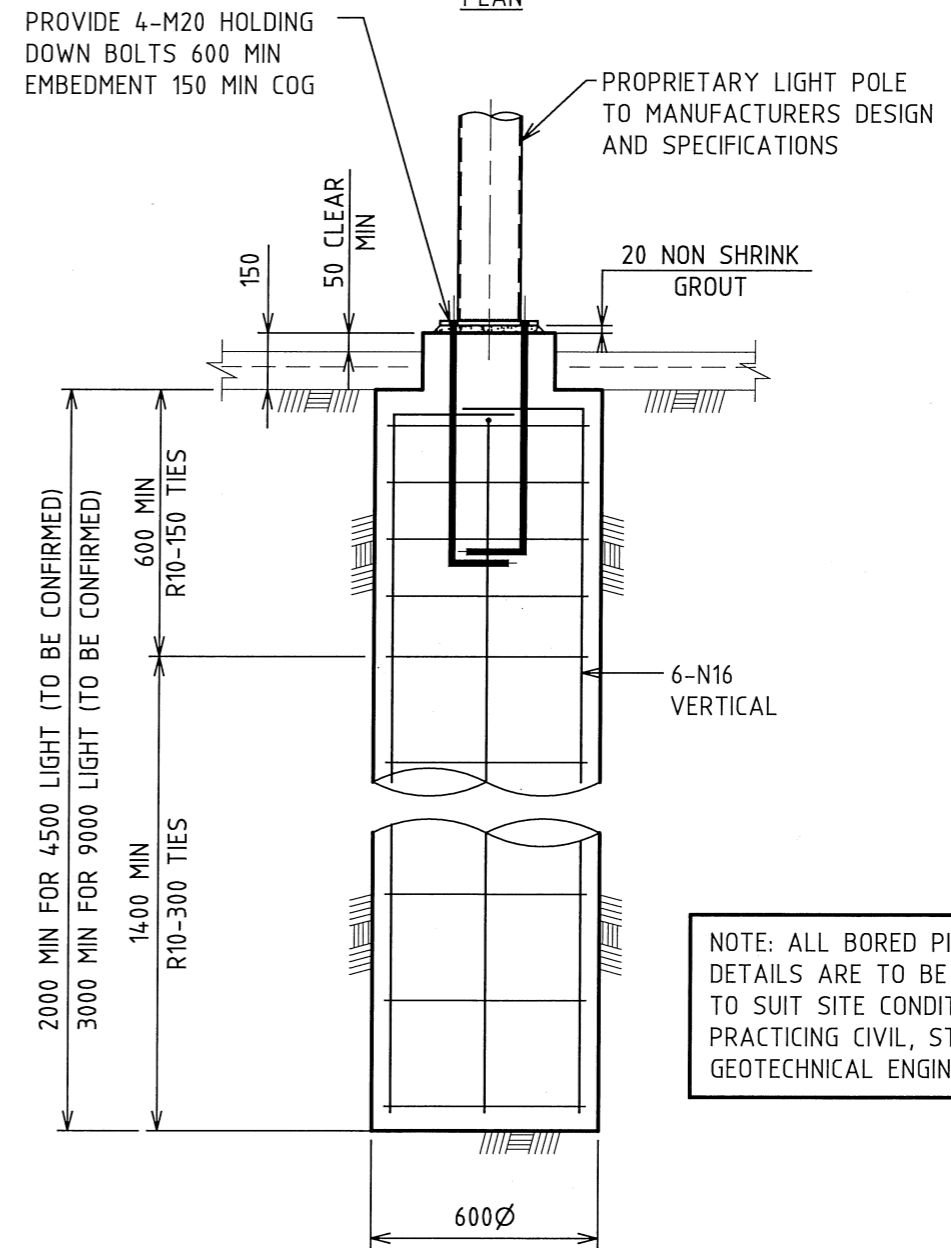
STREET AND PARK LIGHT POLE AND BORED PIER
SCALE 1:75

NOTES

1. ALL LIGHT POLES ARE TO BE PROPRIETARY DESIGN IN ACCORDANCE WITH RELEVANT AUSTRALIAN STANDARDS AND ENERGY AUSTRALIA REQUIREMENTS UNLESS OTHERWISE APPROVED BY COUNCIL TO MEET THE SITE SPECIFIC WIND LOADING CRITERIA DETERMINED IN ACCORDANCE WITH AS1170.2 WIND LOADS.
2. ALL CONCRETE IS TO HAVE A COMPRESSIVE STRENGTH $F'c = 32 \text{ MPa}$. MINIMUM COVER TO REINFORCEMENT IS TO BE 50mm.
3. BORED PIER TO BE FOUNDED ON NATURAL CUT GROUND (NOT FILL) WITH A MINIMUM ALLOWABLE BEARING CAPACITY OF 300 KPa .



PLAN



BORED PIER
SCALE 1:20

NOTE: ALL BORED PIER FOOTING DETAILS ARE TO BE CONFIRMED TO SUIT SITE CONDITION BY A PRACTICING CIVIL, STRUCTURAL, GEOTECHNICAL ENGINEER

1	CONSTRUCTION	18.12.14	T.A.
0	PRELIMINARY	18.11.14	T.A.
No.	AMENDMENT DETAILS	DATE	INITIALS

A3 ORIGINAL THIS SHEET WAS PREPARED IN COLOUR AND WILL BE INCOMPLETE IF COPIED

SCALE	AS SHOWN
COORDINATE SYSTEM:	HEIGHT DATUM: AHD

LIVEABLE CITY
INFRASTRUCTURE
MANAGEMENT SERVICES

REVIEWED: J.C.

APPROVED:

SIGNED: *[Signature]*
INFRASTRUCTURE MANAGEMENT SERVICES MANAGER

DATE: 16/11/15

THE CITY OF NEWCASTLE

LIGHTING
STREET AND PARK LIGHT POLE

NCC PLAN No.	A3630	SHEET No.	1
AMENDMENT No.		OF	1
		SHEETS	1