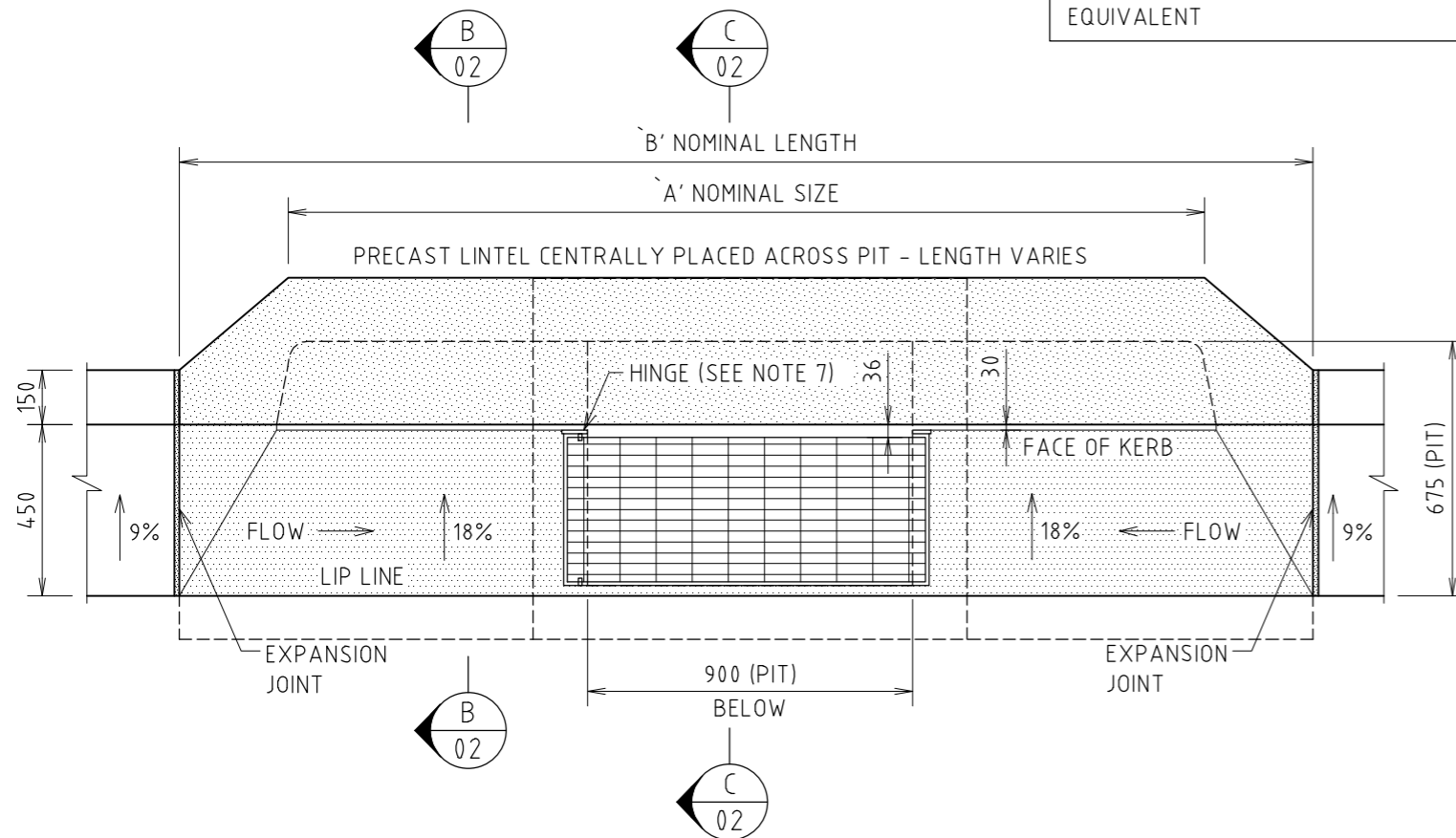


PLAN OF KERB INLET AT GRADE
SCALE 1:20

NOTE:
PROPRIETARY PRECAST CONCRETE ONE PIECE COMBINATION LINTEL AND GRATE KERB INLET PIT TOP; ROCLA, HUMES, HUNTER CONCRETE OR EQUIVALENT



PLAN OF KERB INLET AT SAG
SCALE 1:20

NOTES

1. ALL DIMENSIONS ARE IN MILLIMETRES.
2. CONCRETE FOR UNREINFORCED PITS:
- 25 MPa GRADE N25:80:10 IN ACCORDANCE WITH AS1379.
3. CONCRETE FINISHES:
- ALL PEDESTRIAN OR TRAFFICABLE AREAS TO BE NON-SLIP WOOD FLOAT OR BROOM FINISH WITH ALL EXPOSED EDGES ROUNDED TO 5 RADIUS. OTHER EXPOSED SURFACES TO BE OFF STEEL FORM QUALITY.
4. STEEL REINFORCING BARS AND FABRIC TO COMPLY WITH AS/NZS4671 GRADE D500N.
5. PITS DEEPER THAN 1200 TO BE FITTED WITH STEP IRONS AT 300 CENTRES. TO AS1657
6. 100 DIA. SUBSOIL DRAINAGE PIPE 3000 LONG WRAPPED IN FABRIC SOCK TO BE PROVIDED ADJACENT TO INLET PIPES.
7. HINGES ON GMS GRATE TO BE PLACED ON TRAFFIC APPROACH SIDE. GMS GRATE TO BE BIKE SAFE AND LOAD RATED TO 'CLASS D' IN ACCORDANCE WITH AS3996-2006. WELD LOCK OR EQUAL.
8. PRECAST CONCRETE ONE PIECE COMBINATION LINTEL AND GRATE ARE TO BE IN ACCORDANCE WITH THE DIMENSIONS NOMINATED ON THIS DRAWING. VARIATIONS IN THE MANUFACTURED MOLDS FROM THESE DIMENSIONS ARE TO BE APPROVED BY THE ENGINEERING OFFICER OF THE CITY OF NEWCASTLE PRIOR TO THEIR USE.
9. FOR DETAILS OF STANDARD CONCRETE KERB SHAPES SEE DRAWING A1200.
10. FOR DETAILS OF CONCRETE AND STEEL REINFORCEMENT FOR PITS GREATER THAN 1.5 METRES IN DEPTH REFER TO TABLE A.
11. ALL PITS ARE TO BE ADEQUATELY STREAMLINED AND BENCHED.
12. DAMAGED CASTINGS OR LIFTING ANCHORS WILL RENDER THE UNIT UNSUITABLE FOR USE BY THE CITY OF NEWCASTLE.
13. ALL LINTELS SHALL HAVE A "FISH" SYMBOL AND THE WORDS "THE OCEAN STARTS HERE" OR EQUIVALENT, IMPRINTED ON THE TOP EXTERNAL SURFACE OF THE LINTEL DURING ITS MANUFACTURE.
14. FOUNDING MATERIAL TO ACHIEVE A MINIMUM ALLOWABLE BEARING CAPACITY OF 150KPa

H' MAX DEPTH (M)	L' & B' MAX WIDTH/LENGTH (M)	SECTION	CONCRETE GRADE	CONSTRUCTION METHOD
1.2	1.2	150 THICK WALLS UNREINFORCED	25MPa	INTERNAL FORMWORK ONLY WITH HAND VIBRATION
1.5	1.2	150 THICK WALLS UNREINFORCED	25MPa	INTERNAL AND EXTERNAL WALL FORMWORK WITH MECHANICAL VIBRATION
3.5	1.6	150 THICK WALLS REINFORCED AS DETAILED BELOW	32MPa	INTERNAL AND EXTERNAL WALL FORMWORK WITH MECHANICAL VIBRATION

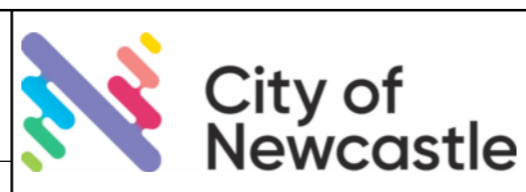
REINFORCEMENT DETAILS: SL92 FABRIC CENTRAL OR N12-200 B/WAYS. HORIZONTAL BARS TO BE CENTRALLY PLACED. RETURN STEEL INTO BASE BY 200 MIN. PROVIDE 200 MIN. LAP AT WALL/WALL CORNERS PROVIDE 50 MIN COVER TO REINFORCEMENT

	1200x	1800x	2400	3000	3600	4200x	4800x
'A' NOMINAL SIZE							
'B' NOMINAL LENGTH	1860	2460	3060	3660	4260	4860	5460

x DENOTES THESE SIZE LINTELS ARE NOT COMMONLY USED AND ARE ONLY CALLED UP BY DESIGNERS WHEN SPECIAL REQUIREMENTS APPLY.

ISSUE	AMENDMENT DETAILS	DATE	INITIALS
2	REVISION	23/02/21	T.C
1	CONSTRUCTION	11/06/13	J.C
0	PRELIMINARY	14/12/12	J.C

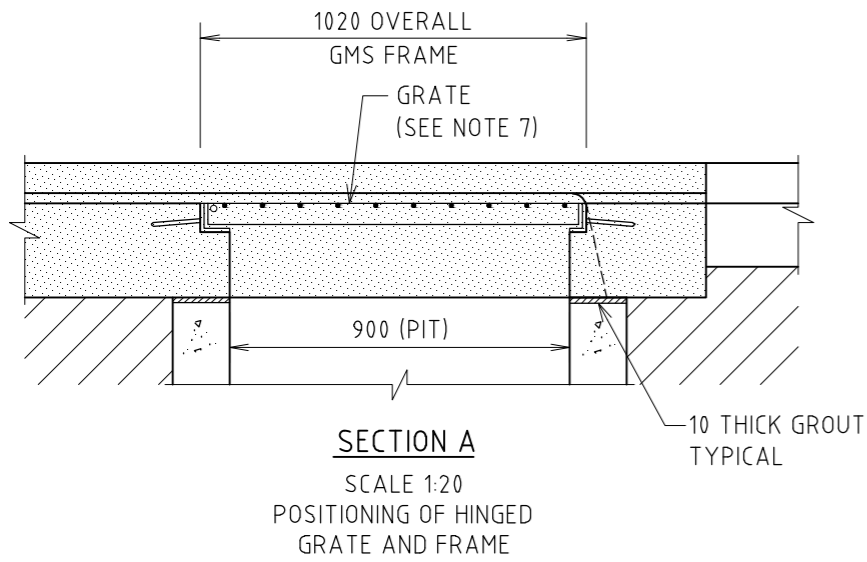
SCALE	AS SHOWN
DO NOT SCALE DRAWING	
REVIEWED	J.C



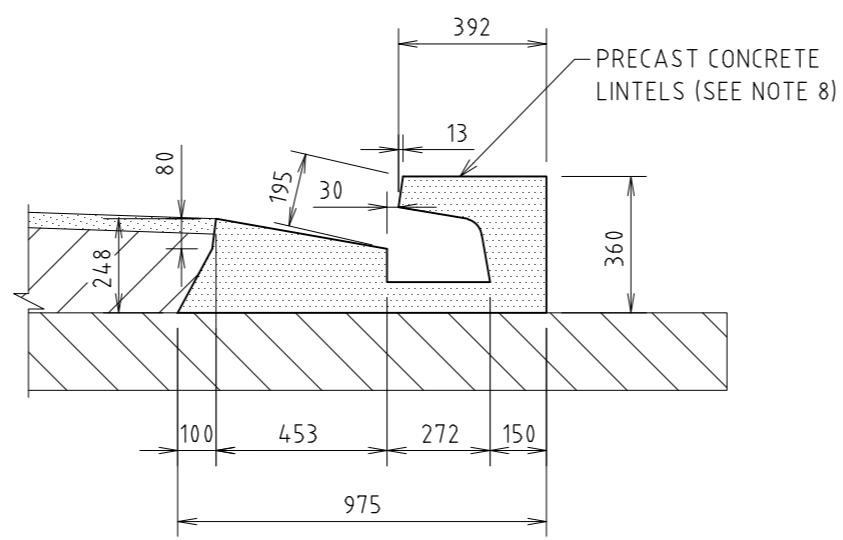
APPROVED:
SIGNED: *[Signature]*
MANAGER ASSETS AND PROJECTS
DATE: 29/03/2021

CITY OF NEWCASTLE STANDARD DRAWING
KERB INLET PIT ON GRADE AND SAG WITH ONE PIECE PRECAST TOP

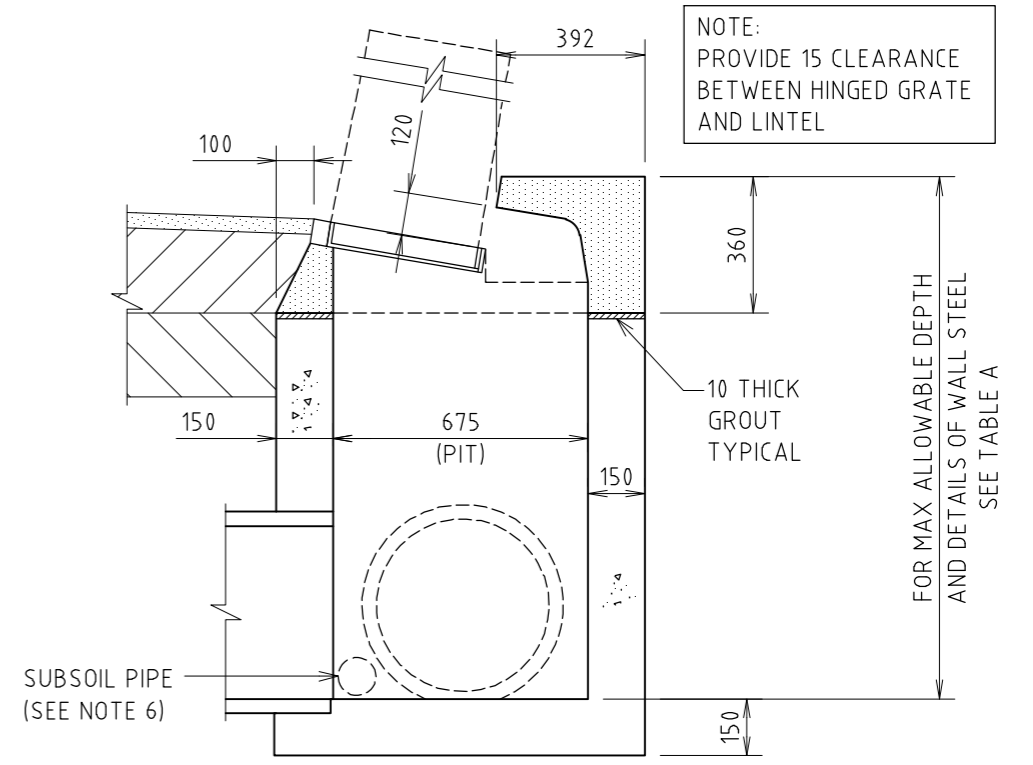
NCC PLAN No.	A2200
SHEET	A3
ISSUE	2
SHEET No.	1 OF 2 SHEETS



SECTION A
SCALE 1:20
POSITIONING OF HINGED GRATE AND FRAME

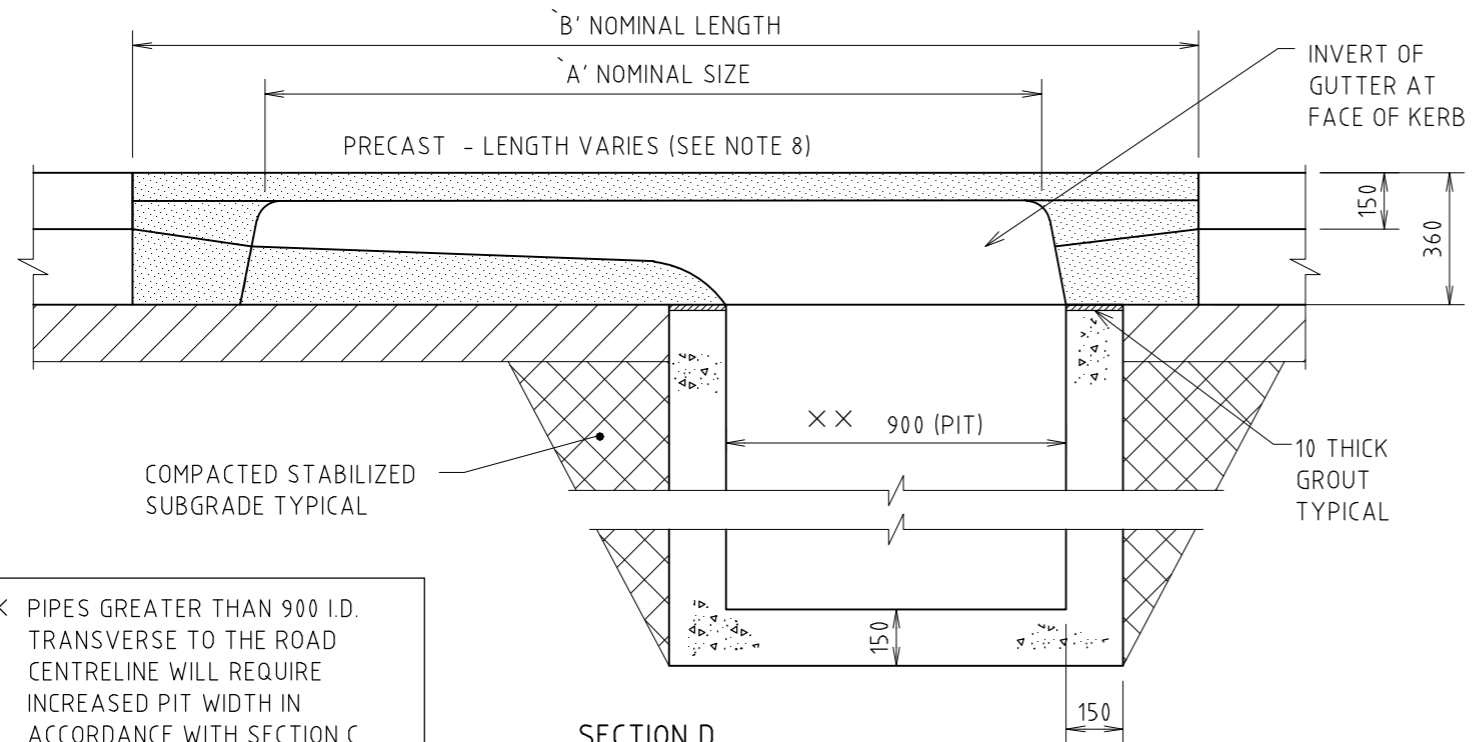


SECTION B
SCALE 1:20
SECTION THROUGH GUTTER
DEPTH VARIES. SEE TABLE A



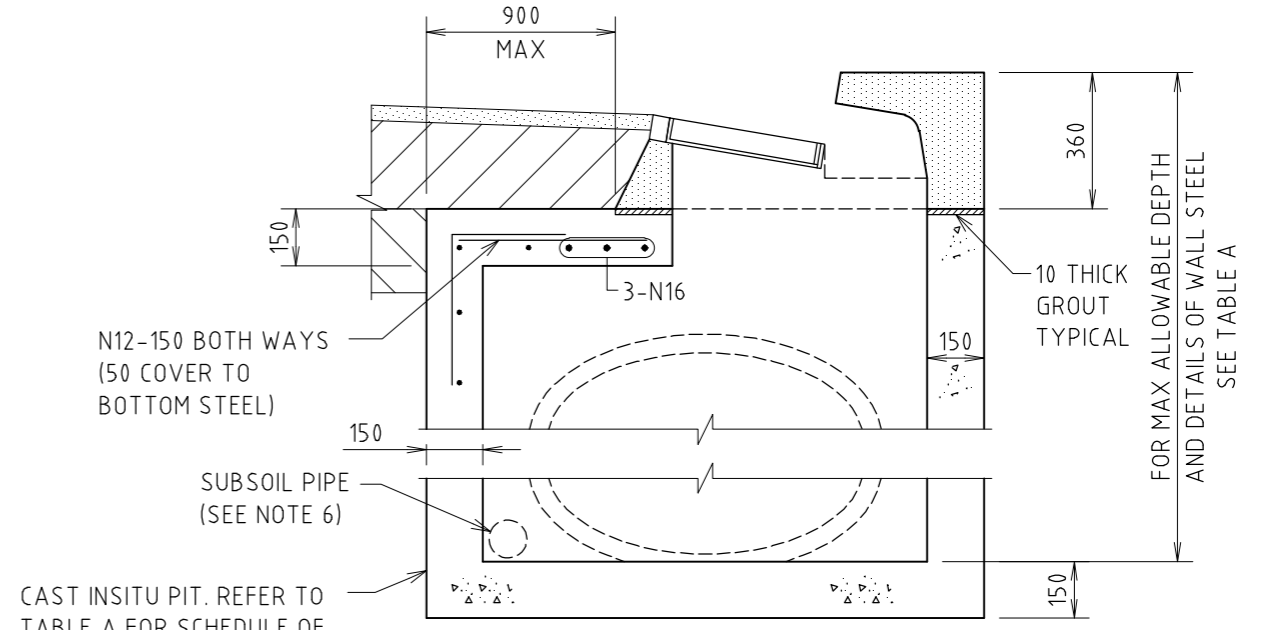
SECTION C
SCALE 1:20
FOR PIPES IP TO 600 ϕ

ONE PIECE PRECAST TOP NOTES:
 - ALL DIMENSIONS ARE IN MILLIMETRES.
 - MINIMUM COVER TO REINFORCEMENT 40mm.
 - CONCRETE FOR REINFORCED PIT TOP 32MP_a GRADE N32:80:10 IN ACCORDANCE WITH AS1379-2007.
 - EXPOSED SURFACES TO BE OFF STEEL FORM FINISH OR HIGH QUALITY STEEL FLOAT FINISH WITH ALL EXPOSED EDGES TO BE ROUNDED TO 5mm RADIUS.
 - STEEL REINFORCING BARS AND FABRIC TO COMPLY WITH AS/NZS4671 GRADE D500N
 - HINGES ON G.M.S. GRATE TO BE PLACED ON TRAFFIC APPROACH SIDE.
 - CHANNEL THICKNESS TO BE 125 +0 -5.
 - DAMAGED CASTINGS OR LIFTING ANCHORS WILL RENDER THE PIT TOP UNSUITABLE FOR USE AT THE CITY OF NEWCASTLE



SECTION D
SCALE 1:20

× × PIPES GREATER THAN 900 I.D. TRANSVERSE TO THE ROAD CENTRELINE WILL REQUIRE INCREASED PIT WIDTH IN ACCORDANCE WITH SECTION C



SECTION C
SCALE 1:20
FOR PIPES OVER 600 I.D. AND UP TO 1200 I.D.

ISSUE	AMENDMENT DETAILS	DATE	INITIALS
2	REVISION	23/02/21	T.C
1	CONSTRUCTION	11/06/13	J.C
0	PRELIMINARY	14/12/12	J.C

REVIEWED	J.C
SCALE AS SHOWN	DO NOT SCALE DRAWING



APPROVED:
 SIGNED: *[Signature]*
 MANAGER ASSETS AND PROJECTS
 DATE: 29/03/2021

CITY OF NEWCASTLE STANDARD DRAWING
 KERB INLET PIT ON GRADE AND SAG WITH ONE PIECE PRECAST TOP

NCC PLAN No.		SHEET No.
A2200		
SHEET A3	ISSUE 2	